

# DVAS e-catalog

Standard X-ray System



# DVAS series

Digital Valuable Advanced Standard X-ray



DVAS-**C** Chair (Fixed / Foldable) type

DVAS-**W** Wall-mount

DVAS-**M** Mobile

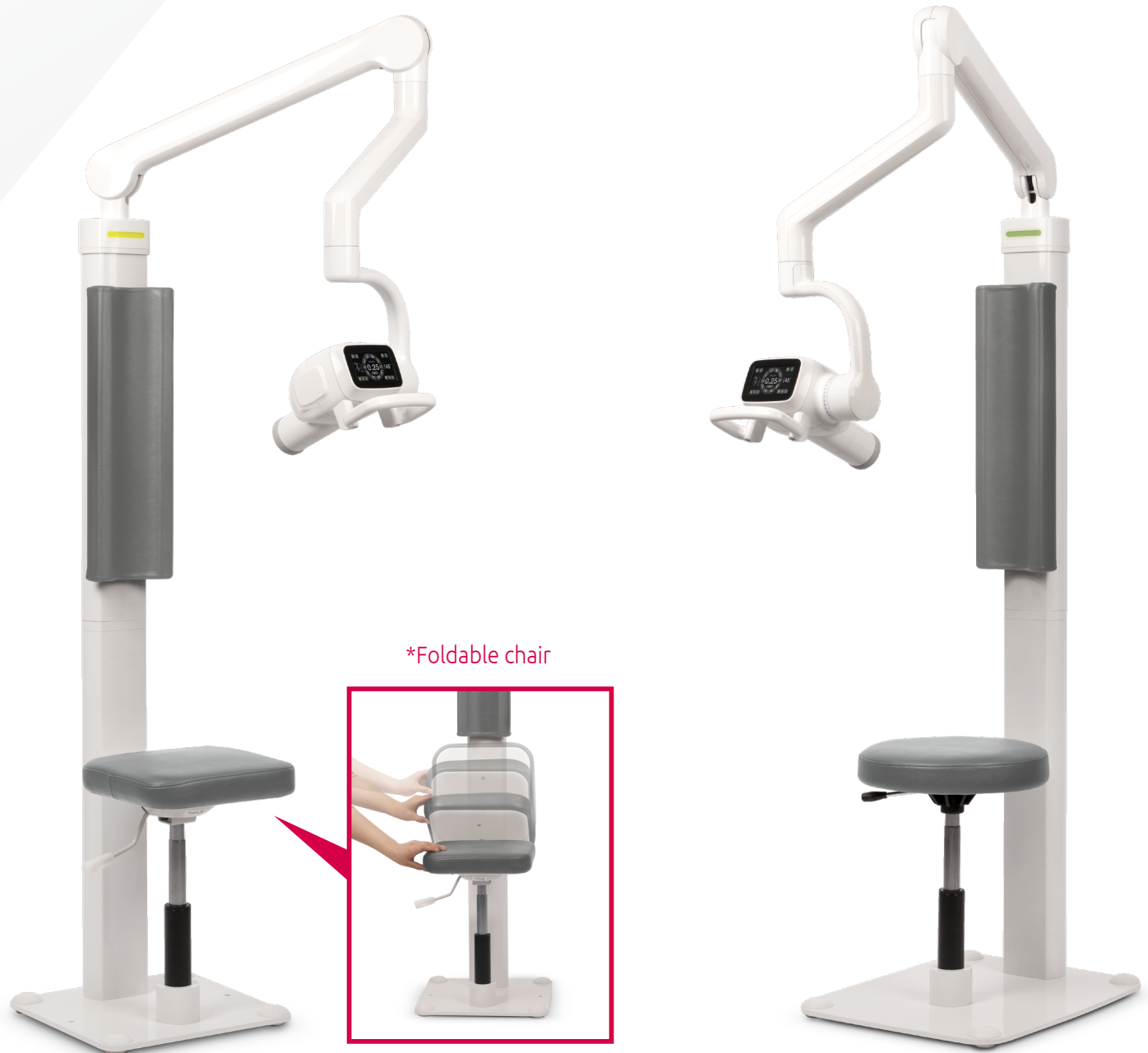
# DVAS-C

## Fixed chair

- Width : 466mm
- Height : 2061mm
- Depth : 1141mm
- Weight : 45.8kg ± 5%

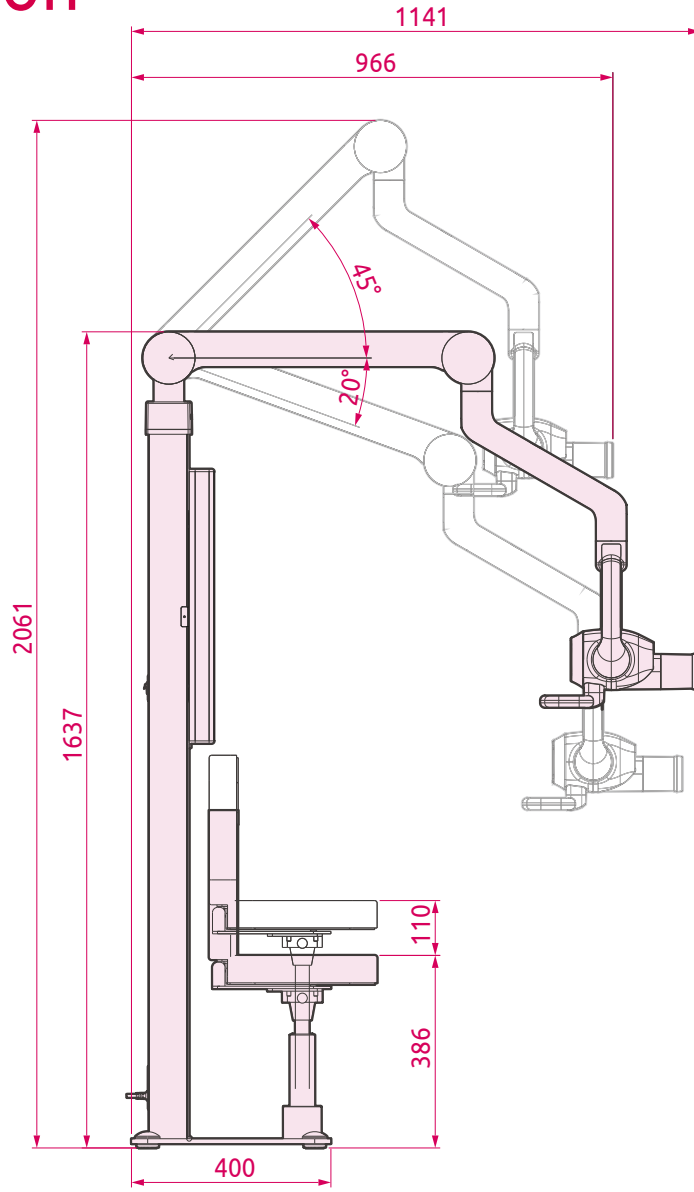
## Foldable chair

- Width : 466mm
- Height : 2061mm
- Depth : 1141mm
- Weight : 44kg ± 5%

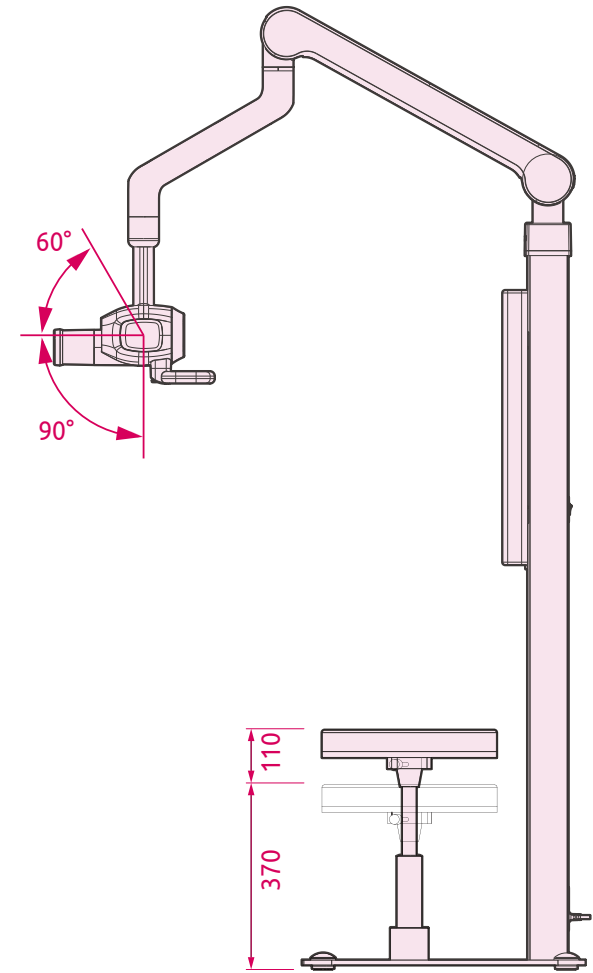
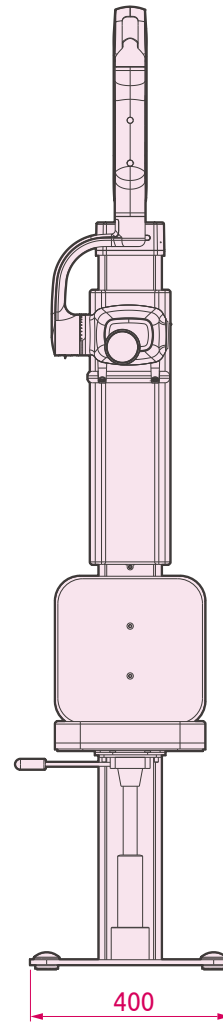


# Dimension

Chair types



\*Foldable chair



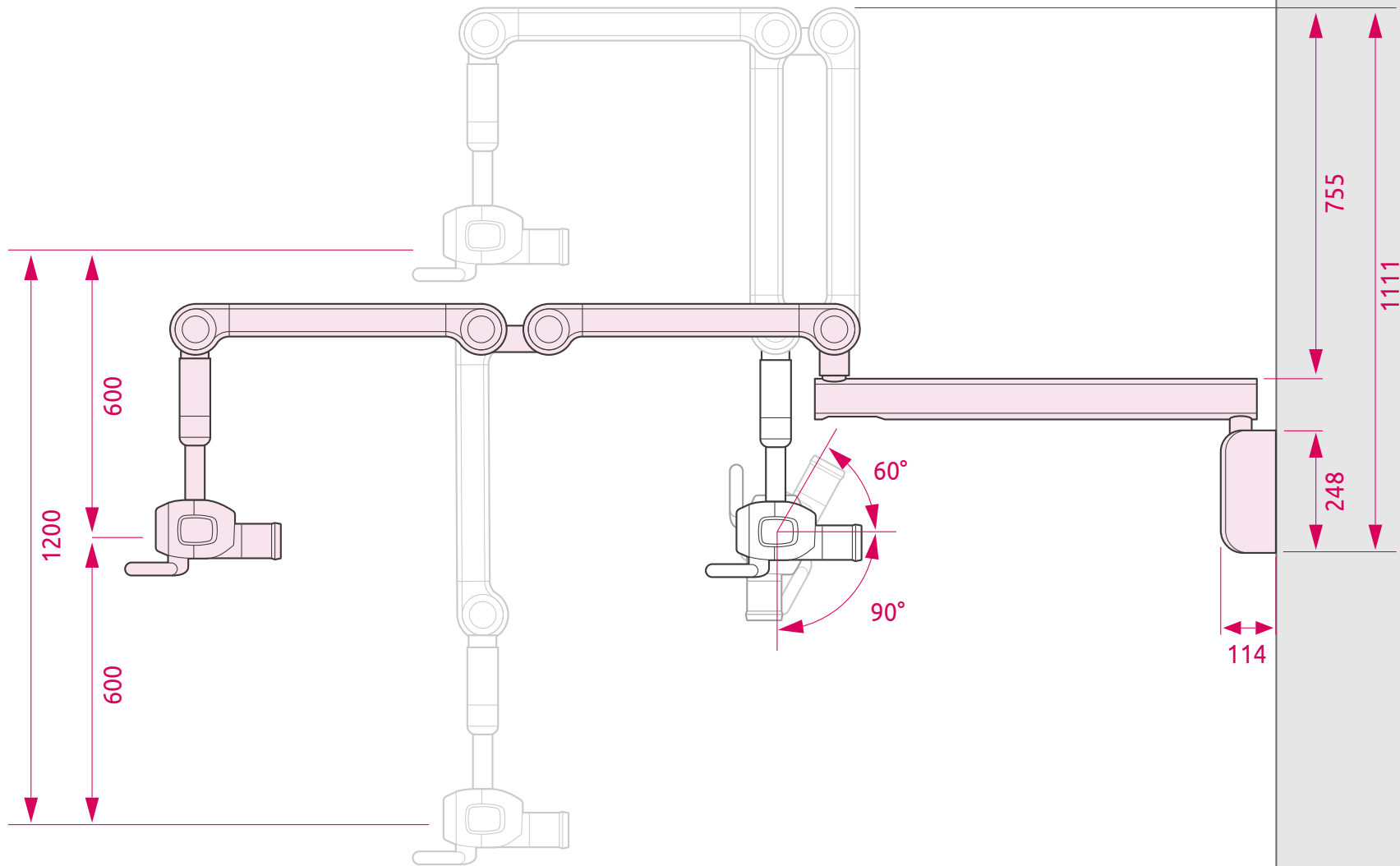
\*Fixed chair





# Dimension

Wall-mount type



# DVAS features



## Focal spot size

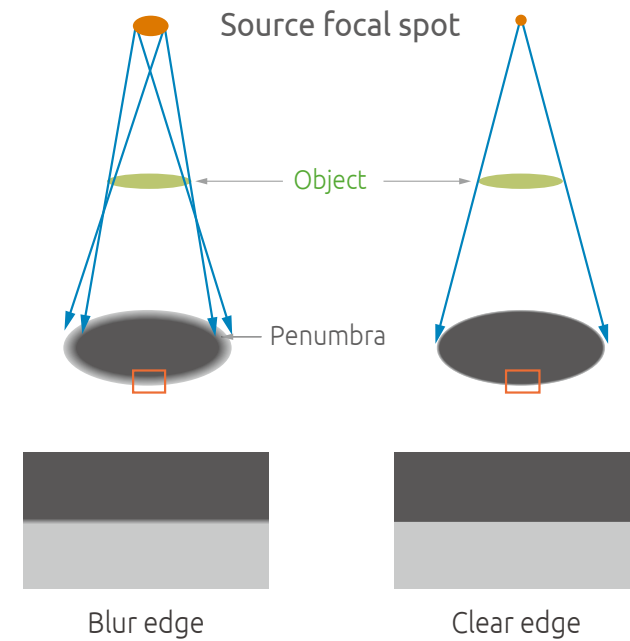
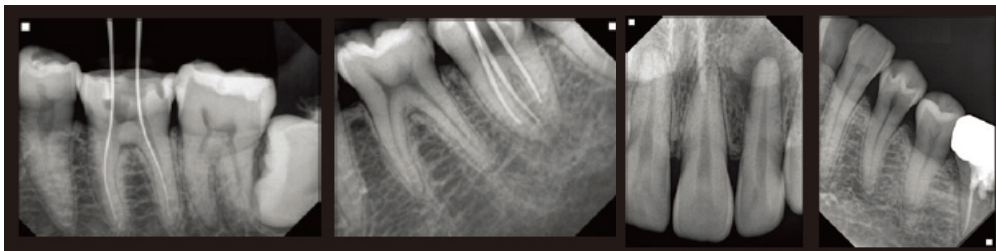


Focal spot 0.8mm



DVAS Focal spot 0.4mm

## Clinical images



# DVAS features



## LED Pointer

The X-ray location LED is activated on the patient



## Touch screen

## Color LED indicator



Ready



Error



X-ray exposure

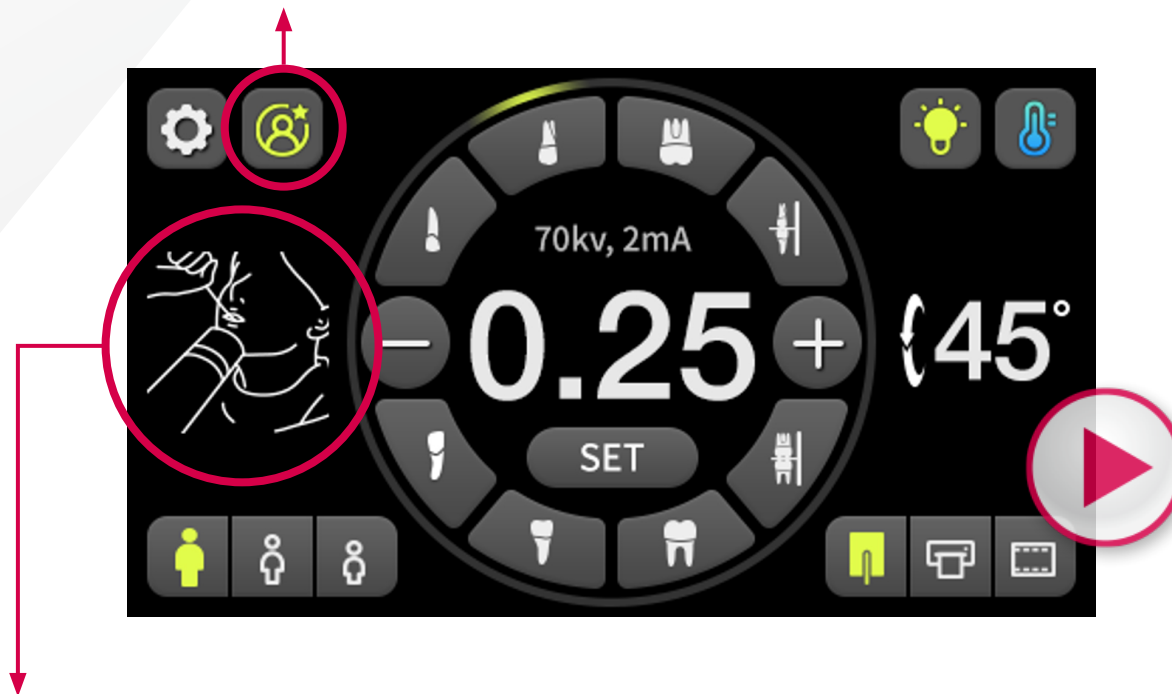


Cool time

# DVAS Convenient user interface

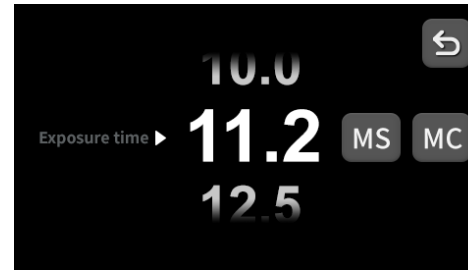
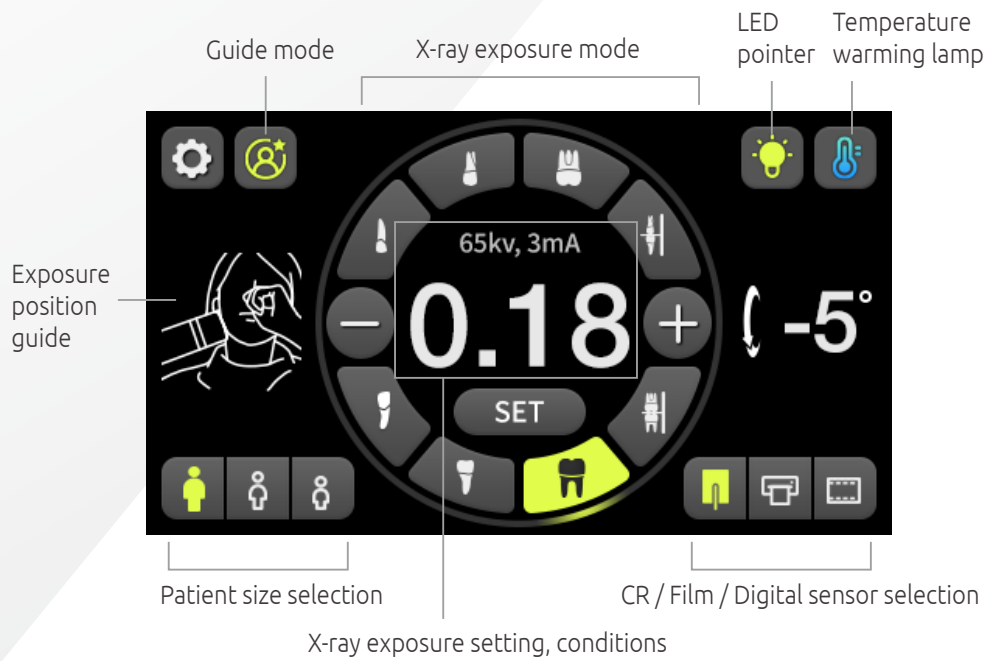
## Guide mode

When the button is activated, the exposure position guide automatically appears according to the angle





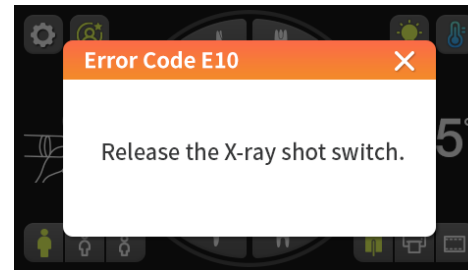
# DVAS Convenient user interface



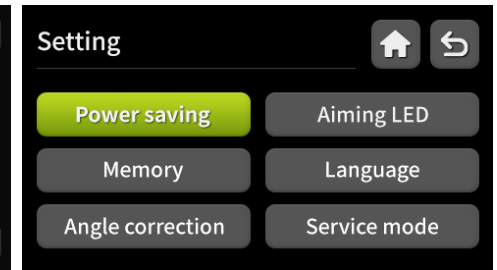
Exposure time setting



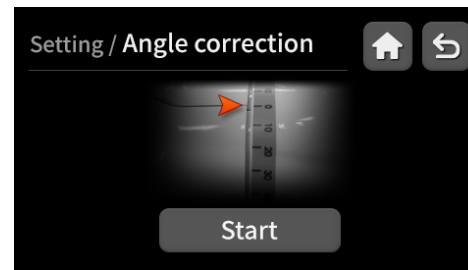
X-ray radiation



Error code



Settings



Angle correction



Language setting



**www.genoraypolska.pl**

ul. Grzybowska 80/82; Warszawa 00-844

biuro@genoraypolska.pl ; www.genoraypolska.pl

Tel.: +48 507 000 450 lub 507 000 470

**GENORAY Co.,Ltd.**

512, 560, Dunchon-daero, Jungwon-gu,  
Seongnam-si, Gyeonggi-do, 13230, Korea  
Tel. +82-31-5178-5500  
Fax. +82-31-5178-5599  
genoray@genoray.com  
[www.genoray.com](http://www.genoray.com)

**Genoray America Inc.**

147 E. Bristol Lane Orange, CA 92865 USA  
Tel. +1-855-436-6729  
Fax. +1-714-786-8919  
inquiry@genorayamerica.com  
www.genorayamerica.com

**Genoray EU GmbH**

Jerusalem Str. 14, 10117 Berlin  
Tel. +49-30-509-694-98  
Fax. +49-30-530-198-08  
info@genorayeuropa.com

**Genoray Japan**

2F(Office Building), Misumi Couch,  
1 Chome - 4-7, Shinyokohama, Kohoku Ward,  
Yokohama, Kanagawa, Japan  
Tel. + 81-45-620-4971  
Fax. +81-45-620-4972  
Info@genorayjapan.co.jp  
www.genorayjapan.co.jp



\* This X-ray unit may be dangerous to patient and operator unless safe exposure factors and operating instructions are observed.